



relationships **FORGED**
solutions **CAST**

3 WAY BALL VALVE with Mounting Pad

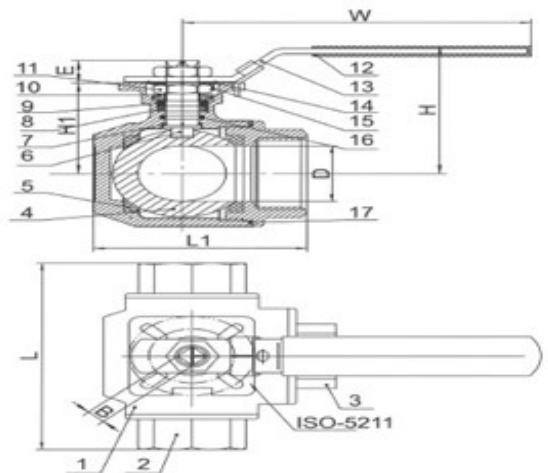
Ref: 3 WAY 0422

FEATURES

- 1000PSI/PN63
- Reduce Port
- Investment Casting
- Blow-out proof stem
- ISO5211 Mounting Pad
- PED97/23/PE (CE0035) Approved
- Anti-Static device (option)
- L or T Port Option
- 4 Sests For Rigid Ball Supporting
- Thread: ASME B1.20.1



ITEM	DESIGNATION	QTY	MATERIAL
1	BODY	1	CF8/CF8M
2	CAP(1)	2	CF8/CF8M
3	CAP(2)	1	CF8/CF8M
4	BALL	1	CF8/CF8M
5	BALL SEAT	4	RPTFE
6	STEM	1	304/316
7	THUST WASHER	1	PTFE
8	STEM PACKING	1	PTFE
9	GLAND NUT	1	304
10	SPRING WASHER	2	304
11	NUT	2	304
12	HANDLE COVER	1	PVC
13	HANDLE	1	304/316
14	WASHER	1	304
15	THRUST WASHER	1	304
16	O-RING	1	VITON
17	JOINT GASKET	1	PTFE



SIZE	ΦD	W	L±2	L1±2	H	B _{-0.07} ⁰	E±1	ISO5211	H1
1/4"	9	139	79	64	73	9	9	F04/03	42
3/8"	11	139	79	64	73	9	9	F04/03	42
1/2"	12.5	139	79	64	73	9	9	F04/03	42
3/4"	16	139	83	68	80	9	9	F04/03	49
1"	20	160	104	82	95	11	11	F05/04	59.5
1-1/4"	25	160	111	90	98	11	11	F05/04	63
1-1/2"	32	185	126	106	110	14	14	F07/05	73.5
2"	38	185	147	123	119	14	14	F07/05	82.8

To order or for further details, please call (800) 848-6884 or email: orders@uvintl.com

Headquarters

360 Mount Kemble Ave. Suite 2000
Morristown, NJ 07960
Ph: (973) 775-1660 Fax: (973) 775-1680
Email: uvnj@uvintl.com

Distribution Centers

Hueytown, AL; Fontana, CA; West Sacramento, CA;
Atlanta, GA; Hagerstown, MD; Minneapolis MN
Dallas, TX; Houston, TX