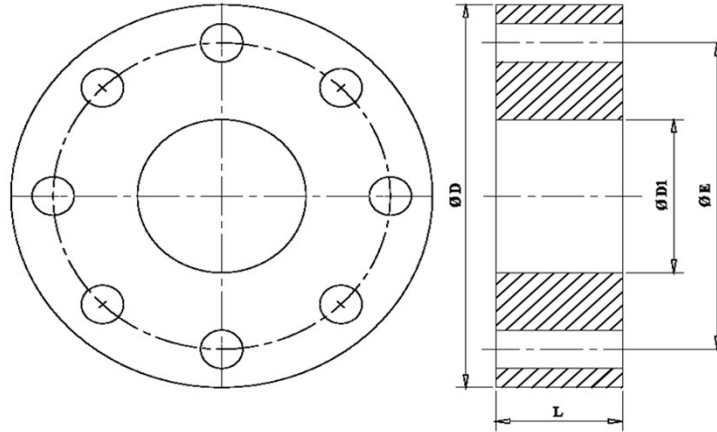


Cast Iron & Ductile Iron Filler Flanges

Ref: CFR1021



Pipe Dia (D1)	Flange OD (D)	Bolt Circle Dim (E)	Bolt Holes	
			No	Dia
3	7.50	6.00	4	3/4"
4	9.00	7.50	8	3/4"
6	11.00	9.50	8	7/8"
8	13.50	11.75	8	7/8"
10	16.00	14.25	12	1"
12	19.00	17.00	12	1"
14	21.00	18.75	12	1 1/8"
16	23.50	21.25	16	1 1/8"
18	25.00	22.75	16	1 1/4"
20	27.50	25.00	20	1 1/4"
24	32.00	29.50	20	1 3/8"
Thickness (L) Pipe Diameters (D1)				
1/2"	3" - 12"			
3/4"	3" - 12"			
1"	3" - 12"			
1 1/4"	3" - 24"			
2 1/4"	3" - 24"			
3 1/4"	3" - 24"			
4 1/4"	3" - 24"			

*Dimensions are in inches.

- ▶ **Material:** Cast Iron ASTM A126 Class B
Ductile Iron(available on request) ASTM A536 Grade 70-50-05
- ▶ **Machining:** Both Faces Machined
- ▶ **Drilling:** Drilled in accordance to ANSI B16.1-125 lb pattern
- ▶ **Coating:** Bare

To order or for further details,
(800) 848-6884 | orders@uvintl.com