



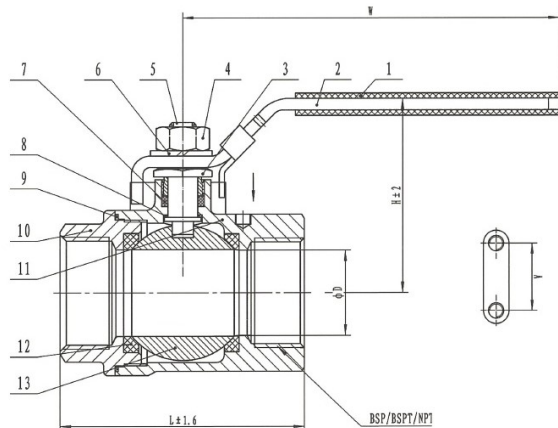
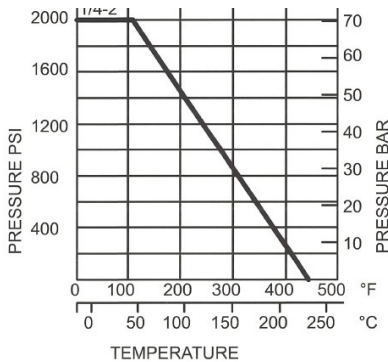
relationships **FORGED**
solutions **CAST**

2 PC BALL VALVE 2000 PSI REDUCED PORT

Ref: 2 PC 2000 PSI REDUCED PORT 0422

FEATURES

- ◆ CF8M/CF8
- ◆ 2000PSI Reduced port 1/4"-2"
- ◆ Black R-PTFE seats & R-PTFE seals
- ◆ bi-directional flow
- ◆ Max temperature: -25 °C to 180 °C
- ◆ Threaded Ends: NPT



ITEM	DESIGNATION	ITEM	MATERIAL
1	PLASTIC SLEEVE	1	PVC
2	HANDLE	1	304
3	GLAND NUT	1	304
4	STEM NUT	1	304
5	STEM	1	316/304
6	SPRING WASHER	1	304
7	STEM PACKING	1	PTFE
8	THRUST WASHER	1	PTFE
9	JOINT GASKET	1	PTFE
10	CAP	1	CF8M/CF8
11	BODY	1	CF8M/CF8
12	BALL SEAT	2	RPTFE
13	BALL	1	CF8M/CF8

ITEM	SIZE	INCH	D	L	W	H	A
8	1/4"	10	51.5	95	52	28.5	
10	3/8"	10	57	95	52	28.5	
15	1/2"	12.5	62.5	95	52	28.5	
20	3/4"	15	73.5	105	60	34.8	
25	1"	19.5	84	125	73	34.8	
32	1 1/4"	25	91.5	125	76	38.1	
40	1 1/2"	32	99	180	89	38.1	
50	2"	38	109.5	180	93	38.1	

To order or for further details, please call (973) 775-1660 or email: orders@uvintl.com

Headquarters

360 Mount Kemble Ave. Suite 2000
Morristown, NJ 07960
Ph: (973) 775-1660 Fax: (973) 775-1680
Email: uvnj@uvintl.com

Distribution Centers

Hueytown, AL; Fontana, CA; Elk Grove, CA;
Atlanta, GA; Hagerstown, MD;
Dallas, TX; Houston, TX