



relationships **FORGED**
solutions **CAST**

U.V. International, LLC

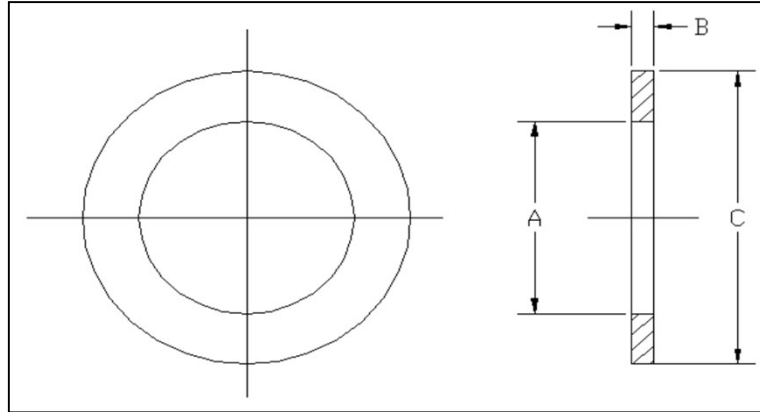
360 Mt. Kemble Ave. Suite#2000, Morristown, NJ 07960

Ph: (973) 775 1660 | F: (973) 775 1680

uvnj@uvintl.com | www.uvintl.com

Steel Wall Collar

Ref: SWC1021



Nominal Pipe Size	Inside Diameter (A)	Thickness (B)	Outside Diameter (C)
3"	4.06	0.38	6.75
4"	4.90	0.38	8.75
6"	7.00	0.38	10.81
8"	9.15	0.38	12.88
10"	11.20	0.38	15.75
12"	13.30	0.38	17.19
14"	15.44	0.38	19.25
16"	17.54	0.38	21.38
18"	19.64	0.38	23.38
20"	21.74	0.38	25.50
24"	25.94	0.38	31.63
30"	32.17	0.38	38.00
36"	38.47	0.38	44.19
42"	44.67	0.50	50.50
48"	50.97	0.50	57.25
54"	57.73	0.50	64.25
60"	61.80	0.50	69.75
64"	65.85	0.50	73.75

*All Dimensions are in inches.

- ▶ **Material:** Carbon Steel ASTM A36. Minimum Yield 36,000 PSI
- ▶ **Use:** Weld-on water stops or seep rings (not for thrust restraint)
- ▶ **Coating:** Bare

**To order or for further details,
(800) 848-6884 | orders@uvintl.com**