



relationships **FORGED**
solutions **CAST**

U.V. International, LLC

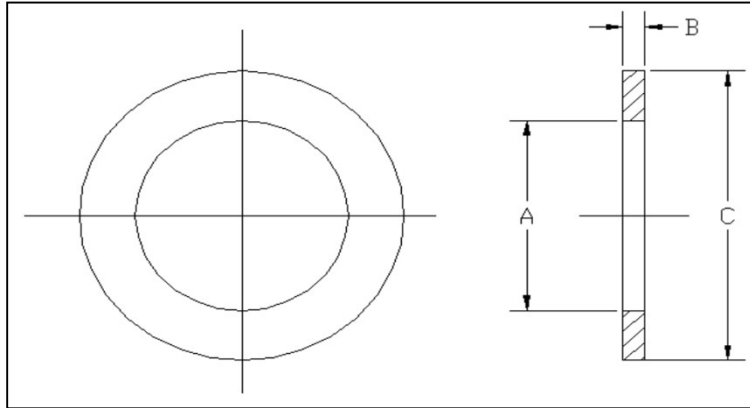
360 Mt. Kemble Ave. Suite#2000, Morristown, NJ 07960

Ph: (973) 775 1660 | F: (973) 775 1680

uvnj@uvintl.com | www.uvintl.com

Ductile Iron Wall Collar

Ref: DWC1021



Nominal Pipe Size	Inside Diameter (A)	Thickness (B)	Outside Diameter (C)
3"	4.06	0.50	6.50
4"	4.90	0.50	7.40
6"	7.00	0.50	9.50
8"	9.15	0.50	12.00
10"	11.20	0.50	14.10
12"	13.30	0.50	16.25
14"	15.44	0.50	18.40
16"	17.54	0.50	21.00
18"	19.64	0.50	23.10
20"	21.74	0.50	25.70
24"	25.94	0.50	30.00
30"	32.17	0.63	36.96
36"	38.47	0.63	43.40
42"	44.67	1.00	50.00
48"	50.97	1.00	56.50
54"	57.73	1.25	62.50
60"	61.80	1.25	69.00
64"	65.75	1.25	75.75

*All Dimensions are in inches.

- ▶ **Material:** Ductile Iron (ASTM A536 - 65:45:12)
- ▶ **Use:** Weld-on water stops or seep rings (not for thrust restraint)
- ▶ **Coating:** Bare

To order or for further details,
(800) 848-6884 | orders@uvintl.com