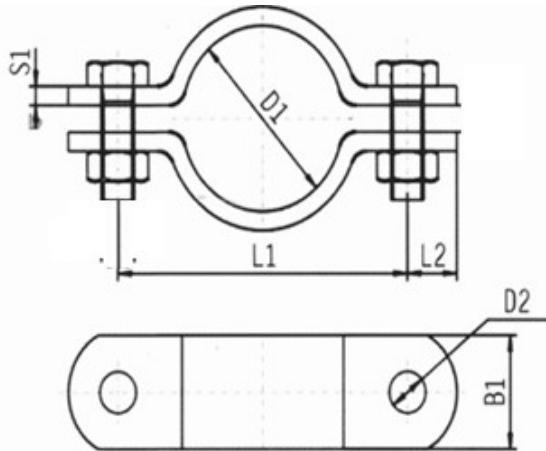




relationships **FORGED**
solutions **CAST**

Steel Socket Clamps for DI Pipe (Include Bolts, Nuts & Washers)

Ref: SKL 0918



Size	L1	L2	S1	D1	D2	B1	Bolt Size
4"	7.70	2.50	½	4.80	11/16	2.00	5/8 x 3
6"	10.50	2.50	½	6.90	11/16	2.00	5/8 x 3½
8"	12.50	2.50	½	9.05	11/16	2.00	5/8 x 3½
v10"	14.50	2.50	½	11.10	11/16	2.00	5/8 x 3½
12"	17.00	2.50	½	13.20	11/16	2.00	5/8 x 3½

All Socket Clamps include two Steel Half Clamps, two bolts & nuts and two washers as shown.

Other Names: Also known as Retainer Clamps or Friction Clamps.
Applications: Use on Ductile Iron Pipe.
 For use in preventing underground pipe joints from separating.
 Used with Steel Threaded Rods and Ductile Iron Lugs, or Steel 90 Deg. Eye Bolts for joint restraint.
Material: Carbon Steel
Size Range: 4"- 12"
Finish: Steel Clamps – Red oxide Primer; Bolts & Nuts & Washers - Zinc Plated
 Other Sizes (14" to 24") shall available upon request.

To order or for further details, please call (877) 993-9454 or email: orders@uvintl.com

Headquarters

360 Mount Kemble Ave. Suite 2000
 Morristown, NJ 07960
 Ph: (973) 775-1660 Fax: (973) 775-1680
 Email: uvnj@uvintl.com

Distribution Centers

Hueytown, AL; Fontana, CA; West Sacramento, CA;
 Atlanta, GA; Baltimore, MD; Mansfield, OH;
 Dallas, TX; Houston, TX