



relationships **FORGED**  
solutions **CAST**

# Resilient Wedge OS&Y GATE VALVE - Flanged End

Ref: OSYFE-0224

## Technical Features

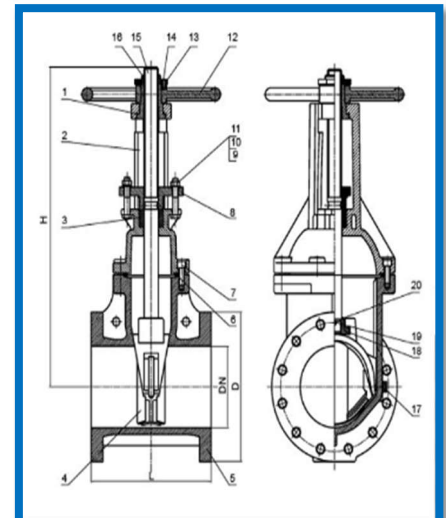
- Flange Standard: ASME/ANSI B16.1 Class 125 or ASME/ ANSI B16.42 Class 150
- Size: 2 ½" - 12"
- Face to Face Standard: ASME B16.10
- Certification: UL, FM ,NSF61
- Maximum Working Pressure: 300 PSI (Conforms to UL 262, FM 1120/1130)
- Maximum Working Temperature: 80 Degree Celcius
- Coating Details: Epoxy Coated Interior and exterior by Electrostatic Spray

## Dimensions

Size		Dimensions (mm)		
Inch	mm	L	D	H
2 ½"	65	190	178	370
3"	80	203	191	420
4"	100	229	229	447
5"	125	254	254	547
6"	150	267	279	607
8"	200	292	343	754
10"	250	330	406	890
12"	300	356	483	1031

## Material List

Sr. No.	Name	Material
1	Gasket	C95400
2	Bonnet	Ductile Iron
3	Packing	Graphite
4	Disc	Ductile Iron+ EPDM
5	Body	Ductile Iron
6	Sealing Ring	EPDM
7	Bolt	Steel 1045
8	Gland	Ductile Iron
9	Nut	Steel 1045
10	Flat Washer	Steel 1045
11	Bolt	Steel 1045
12	Handwheel	Ductile Iron
13	Lock Nut	C95400
14	Locating Screw	Stainless Steel 304
15	Stem	Stainless Steel 304
16	Stem Nut	C95400
17	Plug	C95400
18	Lifting Nut	CF8
19	Pin	Stainless Steel 304
20	Sealing Ring	EPDM



To order or for further details, please call (800) 848-6884 or email: [orders@uvintl.com](mailto:orders@uvintl.com)

### Headquarters

360 Mount Kemble Ave. Suite 2000  
Morristown, NJ 07960  
Ph: (973) 775-166; Fax: (973) 775-1680  
Email: [uvnj@uvintl.com](mailto:uvnj@uvintl.com)

### Distribution Centers:

Atlanta, GA; Hagerstown, MD.  
Houston, TX; Dallas, TX; Elk Grove,  
CA; Orlando, FL; Fontana, CA;  
Kent, WA; Saint Paul, MN;  
Hueytown, AL