



relationships **FORGED**  
solutions **CAST**

# Vertical Indicator Post

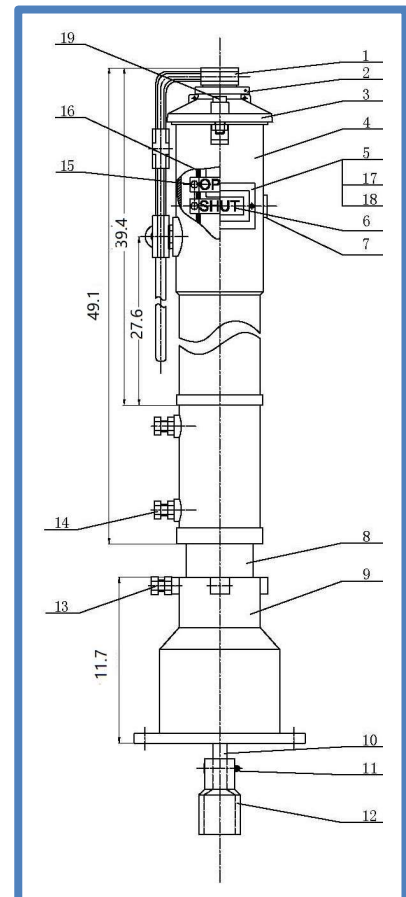
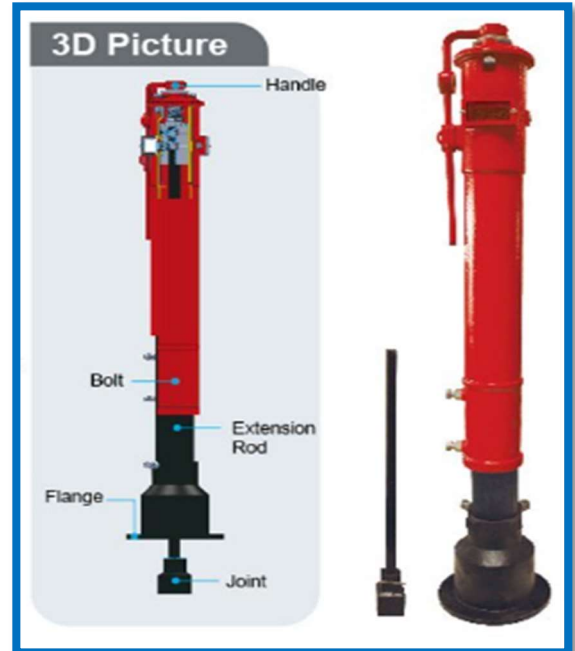
Ref: VIP0224

## Technical Features

- Conforms: UL 789 & ULC & FM 1110
- Certification: UL, FM
- Adjustable Burried Length 570mm to 1500mm
- Used to identify the position of burried Gate Valve from 4" to 12"

## Material List

Sr. No.	Name	Material
1	Handle	Ductile Iron
2	Driving Rod	Stainless Steel 304
3	Indicator Cover	Cast Iron
4	Housing	Cast Iron
5	Keyhole Plate	A283 Gr. C
6	Indicator Plate	A413
7	Screwed Plug	Steel 1035
8	Extension Rod	A283 Gr. C
9	Flange	Cast Iron
10	Connecting Rod	Steel 1045
11	Cotter Pin	Steel 1035
12	Joint	Cast Iron
13	Bolt	Steel 1035
14	Bolt	Steel 1035
15	Bolt	Steel 1035
16	Driving Nut	Stainless Steel 304
17	Keyhole Plate Gasket	EPDM
18	Indicator Flap	Organic Glass
19	Bolt	Steel 1035



To order or for further details, please call (800) 848-6884

or email: [orders@uvintl.com](mailto:orders@uvintl.com)

### Headquarters

360 Mount Kemble Ave. Suite 2000  
Morristown, NJ 07960  
Ph: (973) 775-166; Fax: (973) 775-1680  
Email: [uvnj@uvintl.com](mailto:uvnj@uvintl.com)

### Distribution Centers:

Atlanta, GA; Hagerstown, MD.  
Houston, TX; Dallas, TX; Elk Grove,  
CA; Orlando, FL; Fontana, CA;  
Kent, WA; Saint Paul, MN;  
Hueytown, AL